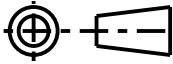
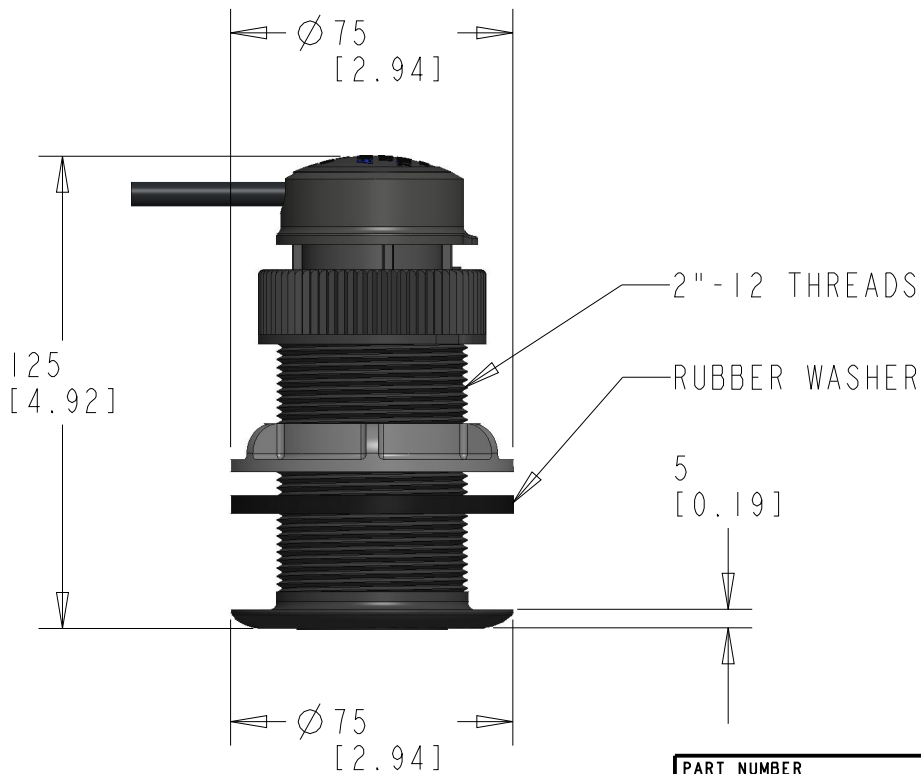
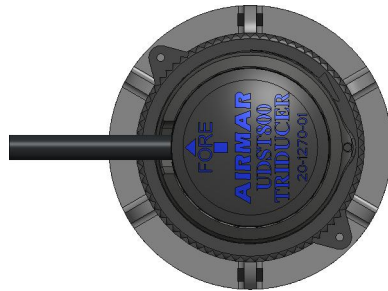


THIRD ANGLE PROJECTION

DOCUMENT REVISIONS



REV	DESCRIPTION	CO NO.	DATE	CHG/CHK
01	RELEASE TO PRODUCTION	15195	05/21/18	RLE/BVT
2	ADDED MOUNTING HOLE DIMENSIONS TO A145 ENCLOSURE	2591	04/21/21	JD/LRS



PART NUMBER	P/N REV
N/A	N/A

UNLESS OTHERWISE SPECIFIED DIMENSIONS ARE IN MM TOLERANCES ON: 0 PLACE DECIMALS: ±1 1 PLACE DECIMALS: ±0.5 ANGLES: ± 1° FRACTIONS: ± 1/32"	SIGNATURE	DATE
	DRAWN: R.CULLEN	11/05/12
	CHECKED: F.CHASE	11/07/12

AIRMAR AIRMAR TECHNOLOGY CORPORATION
 35 MEADOWBROOK DR
 MILFORD NH 03055-4613 USA
 TEL: 603-673-9570 FAX: 603-673-4624

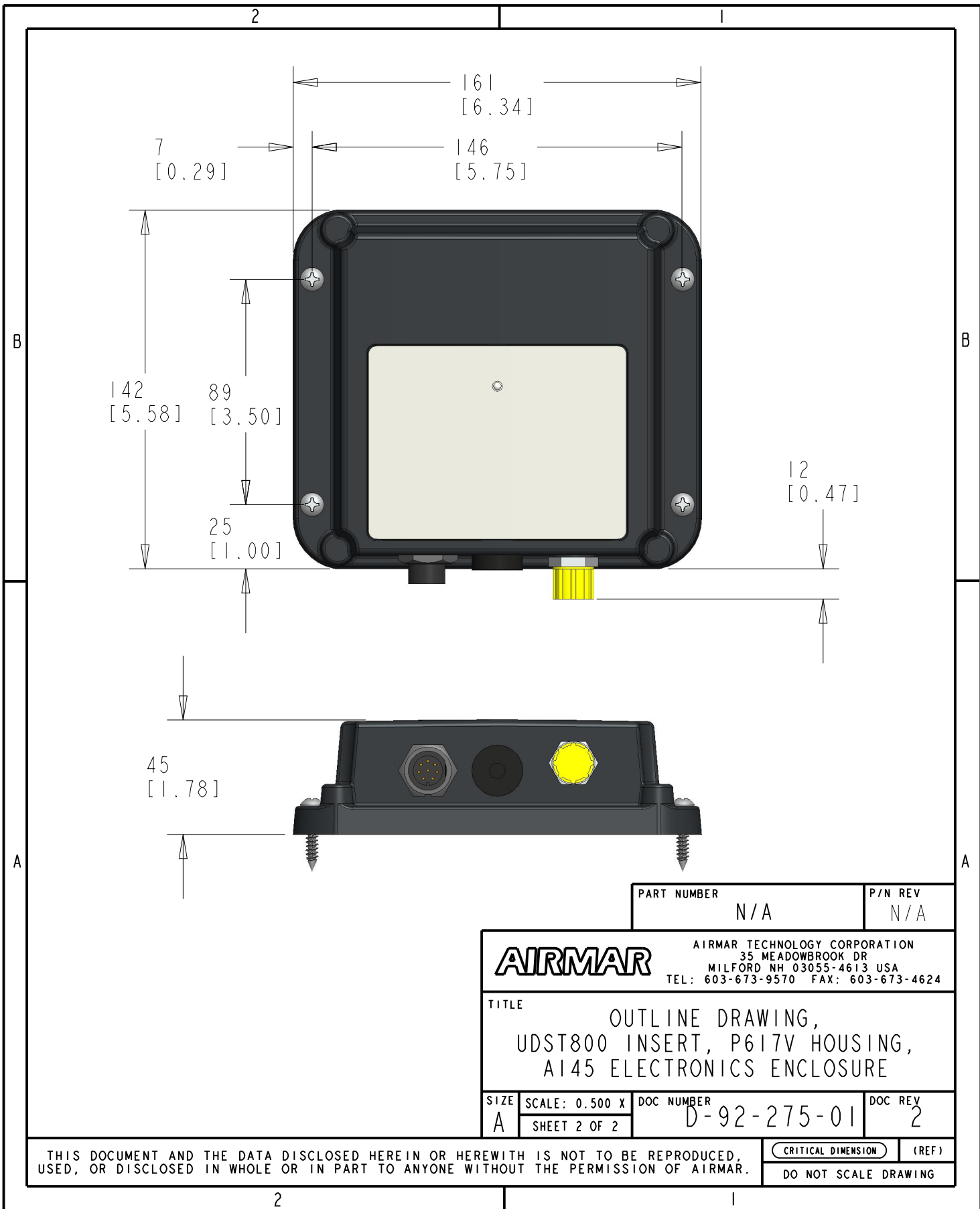
MATERIAL INSERT AND HOUSING: HIGH IMPACT
 CHEMICAL RESISTANT PLASTIC
 ELECTRONICS ENCLOSURE: ALUMINUM

TITLE
 OUTLINE DRAWING,
 UDST800 INSERT, P617V HOUSING,
 A145 ELECTRONICS ENCLOSURE

SIZE	SCALE: 0.500 X	DOC NUMBER	DOC REV
A	SHEET 1 OF 2	D-92-275-01	2

THIS DOCUMENT AND THE DATA DISCLOSED HEREIN OR HERewith IS NOT TO BE REPRODUCED, USED, OR DISCLOSED IN WHOLE OR IN PART TO ANYONE WITHOUT THE PERMISSION OF AIRMAR.

CRITICAL DIMENSION	(REF)
DO NOT SCALE DRAWING	



PART NUMBER	N/A	P/N REV	N/A
-------------	-----	---------	-----

AIRMAR AIRMAR TECHNOLOGY CORPORATION
 35 MEADOWBROOK DR
 MILFORD NH 03055-4613 USA
 TEL: 603-673-9570 FAX: 603-673-4624

TITLE
 OUTLINE DRAWING,
 UDST800 INSERT, P617V HOUSING,
 AI45 ELECTRONICS ENCLOSURE

SIZE	SCALE: 0.500 X	DOC NUMBER	DOC REV
A	SHEET 2 OF 2	D-92-275-01	2

THIS DOCUMENT AND THE DATA DISCLOSED HEREIN OR HEREWITH IS NOT TO BE REPRODUCED, USED, OR DISCLOSED IN WHOLE OR IN PART TO ANYONE WITHOUT THE PERMISSION OF AIRMAR.

CRITICAL DIMENSION	(REF)
DO NOT SCALE DRAWING	