



31200 Stephenson Hwy.
Madison Heights, MI 48071

SPARTITE®

The Solution to Secure and Seal the Mast at Deck Level.

Spartite® is available worldwide. For a location near you, please contact one of the following agents or visit us online at www.Spartite.com.

North America

CASS Polymers of Michigan
Madison Heights, MI
877.772.7848 (toll-free)
248.616.2411 (international)
248.588.5909 (fax)
info@Spartite.com



Internationally

Barrow International
Lymington Hants, United Kingdom
44.159.068.8332 (phone)
44.159.067.7499 (fax)
www.BarrowInt.co.uk
info@BarrowInt.co.uk



**We help keep the mast up
and the water out.**

877.772.7848

www.CASSpolymers.com

What is SPARTITE® ?

Spartite is the modern answer to the ancient problem of mast support and sealing in the partners. Spartite is a pre-measured two-part polymer poured into the cavity between the mast and the partners while the mast is in the boat.

Each kit comes with complete instructions and materials for the yard or yacht owner to build a simple mold out of even the most complex partners or mast collar. Spartite makes a one-piece, perfect fitting mast chock that replaces archaic wedges.



Who uses SPARTITE® ?

Spartite, which is endorsed by spar manufacturers, boat builders and riggers, is perfect for any keel step mast on boats from 19' Lightnings to 246' Super Yachts. Shipped as standard or optional equipment on J Boats, Pacific Seacraft, Saga, Little Harbor, Alden, Corel 45, Carroll Marine, Santa Cruz, Wally Yachts, Sabre, Deerfoot and numerous custom and one-design yachts.



It can be found on America's Cup yachts; maxi yachts like "Falcon", "Boomerang", "Morning Glory", "Exile", "Sayanora" and "Sagamore" and turbo sleds "Donnybrook", "Pyewacket" and "Cheval". Used on classic yachts such as "White Hawk", "Adela", "Velsheda" and "America" or Super Yachts "Thalia", "Wally Gator", "Zeus", "Happy Four", "Mirabella V" and "Teal".

Spar manufacturers like Hall Inc., Offshore Spars, Omohundro, Southern Spars and Sparcraft recommend Spartite. Its strength and correct flexibility provide effective force dampening when working through seas and it gives the spar more cushion against the partners if excessive mast bending loads are applied.



The Spartite ring shrinks less than one thousandth of an inch and when installed properly will radically reduce or eliminate leaking at the partners. Spartite ensures secure and correct mast position at the partners all season and makes correct placement of the mast in the partners automatic whenever the mast is re-stepped. This is an exceptional feature for racers who trailer regattas, sailors who remove their spars annually and boats with unique rig placements.

Racers who like to move their mast fore and aft to adjust to conditions can pour Spartite to fix the athwart ship position of the mast and allow space fore and aft for quick, easy adjustments by the addition or removal of spacers. Under sail, the one-piece structure of Spartite eliminates the problem of wedges falling out or moving.



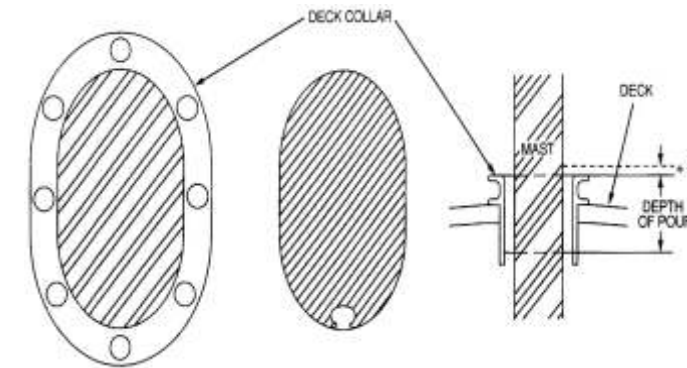
What is included in each kit of SPARTITE® ?

Spartite 2000 is available in two kit sizes:

Kit 1 (small) = 51 cu. in. (836 cu. cm)

Kit 2 (large) = 102 cu. in. (1672 cu. cm)

To estimate the quantity of Spartite needed, measure the square inch or square centimeter area of the mast section and subtract that number from the square inch or square centimeter area of the partner opening. Multiply this number by the desired depth, which must be at least 2" (5cm), then add 1/4" (7mm).



Each Kit Includes:

- Pre-measured Spartite cans
- Modeling clay
- Foam support strips
- Pouring cup
- Stirring sticks
- Plastic gloves
- Vaseline®

Other Required Items:

- Razor knife
- Paper towels
- Drop cloth or newspapers
- Alcohol or acetone
- 2" masking tape

Spartite 2000 Technical Specifications:

Mix Ratio by Volume	100/25
Mixed Viscosity @ 77°F (23°C)	2,500 cps
Pot Life @ 77° (25°C)	8-14 min.
Color	Blue
Cure @ 77°F (25°C), days before sailing	3 days
Shore Hardness	55-60 D



What do our customers say?

It really works! A great fix to my Valiant 40's problem of 14 years.

Ed Fitzsimmons, VA

Installed SPARTITE on my Catalina 36 – No longer have to replace wedges and the leak around the mast has been eliminated.

Dean George, VT

My J-41 has a large rectangular mast partner that never chocked well. SPARTITE was the ultimate answer.

William Donald, NJ

We never wonder if the wedges are falling out in a blow down wind or if the mast is well supported when we grind down on the runners on our new Tripp 41.

Ron McLean, Bay Harbor Brokerage

As close to waterproof as anything I've ever had on my J-33 "Troubador".

Mort Weintraub, NY

The greatest stuff since sliced bread! Saber 38

Michael Grishman, ME

Easy to install and the Ultimate even support around the whole mast section.

Skipper Helme, Race Resources

8500 miles through the South Pacific delivering "Beowulf", the new Sundeer 78. We used two SPARTITE kits and intend to recommend the kits to our owners. The concept of a cast, uniform mast wedge is excellent.

Steve Dashew, Dashew Offshore

We tried everything, but two years, 15,000 miles and a dozen gales ago, we installed SPARTITE on Iolaire. Perfect. Nothing could be better. Now it's 6 years later and still working wonderfully!

Donald Street, author and Caribbean sailing expert

Don't wedge it. SPARTITE it! SPARTITE. It's a verb!

Steve Black, Single Handed Sailor and WEST Marine Caribbean 1500 organizer