

# 4000 Mk2 Wheel Drive Service Manual

Document Number: 83158-1

Date: October 2001

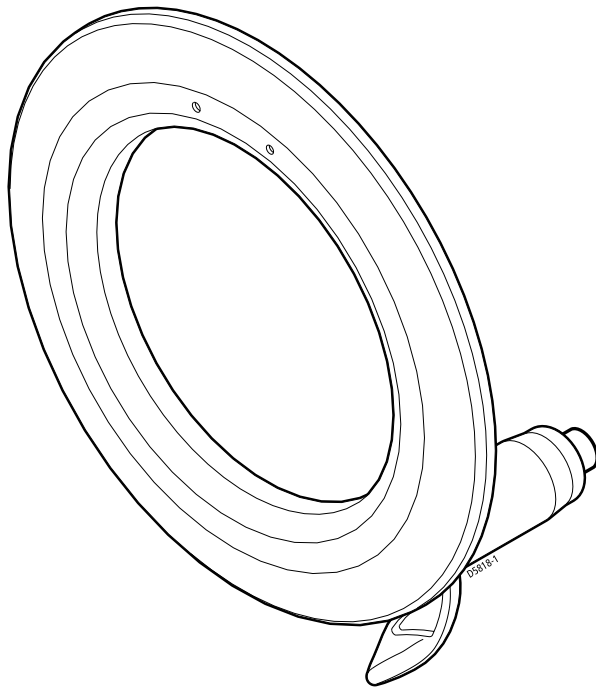
## **ST4000+ Wheel Pilot System**

(including compass and control unit)

E12053, ST4000+ Wheel Pilot System

## **4000 Mk2 Wheel Drive only**

E12093, 4000 Mk2 Wheel Drive Unit



### **WARNING:**

#### **CE Marking of Equipment/Replacement Parts**

If the Raymarine equipment under repair, test, calibration, installation or setting to work carries the European CE mark, only parts and components supplied or approved for such use by Raymarine should be used in order to maintain compliance with the relevant CE requirements.

Incorporation, use or attachment, by any means, of parts or components not supplied for or not approved for such use by Raymarine or, if supplied or approved for use by Raymarine, not properly fitted in accordance with instructions published, provided or recommended by Raymarine, may cause the equipment to malfunction and, in particular, to become unsafe or to no longer meet the relevant CE requirements. In these circumstances, Raymarine excludes liability to the fullest extent permissible in law for any loss or damage including any liability for its contribution to such loss or damage by its negligent acts or omissions.

Service manual contents © Raymarine Ltd, 2001

# Contents

<b>Chapter 1: Introduction .....</b>	<b>5</b>
1.1. Wheel drive functional test .....	5
<b>Chapter 2: Main Parts and Spares .....</b>	<b>6</b>
2.1. Spares for 4000 Mk2 wheel drive .....	6
2.2. 4000 Mk2 wheel drive – exploded view .....	7
<b>Chapter 3: Disassembly and Reassembly .....</b>	<b>8</b>
3.1. Tools required .....	8
3.2. Disassembly .....	8
Support plate and drive belt .....	8
Clutch eccentrics, knob and lever .....	8
Bearing cage and drive ring .....	8
Motor and gearbox .....	9
3.3. Reassembly .....	9
Gearbox .....	9
Clutch eccentrics .....	9
Drive ring and bearing cage .....	9
Drive belt and support plate .....	10
Clutch lever and ratchet knob .....	10
Motor assembly .....	10
Front cover .....	10
3.4. Adjusting the clutch .....	11
3.5. Cleaning the wheel drive .....	11
3.6. Fitting spares and accessories .....	12
Clutch lever A18077 .....	12
Clutch ratchet knob A18078 .....	12
Support plate A18079 .....	12
Clutch kit A18084 .....	13
Drive belt kit A18083 .....	13
Drive ring A18076 and Bearing kit A18085 .....	14
Machined pulley A18087 .....	14
Gearbox A18088 .....	15
Motor A18086 .....	15
Motor loom and seal kit A18092 .....	15
Front cover A18074 .....	16
Rear cover A18075 .....	16
Wheel drive unit A18081 .....	17
Torque restraint A18080 .....	17
Single spoke clamp A18089 .....	17

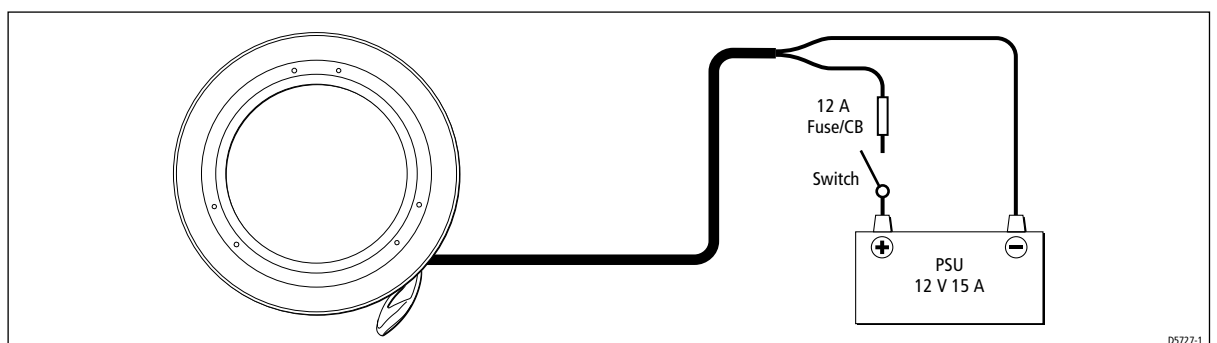
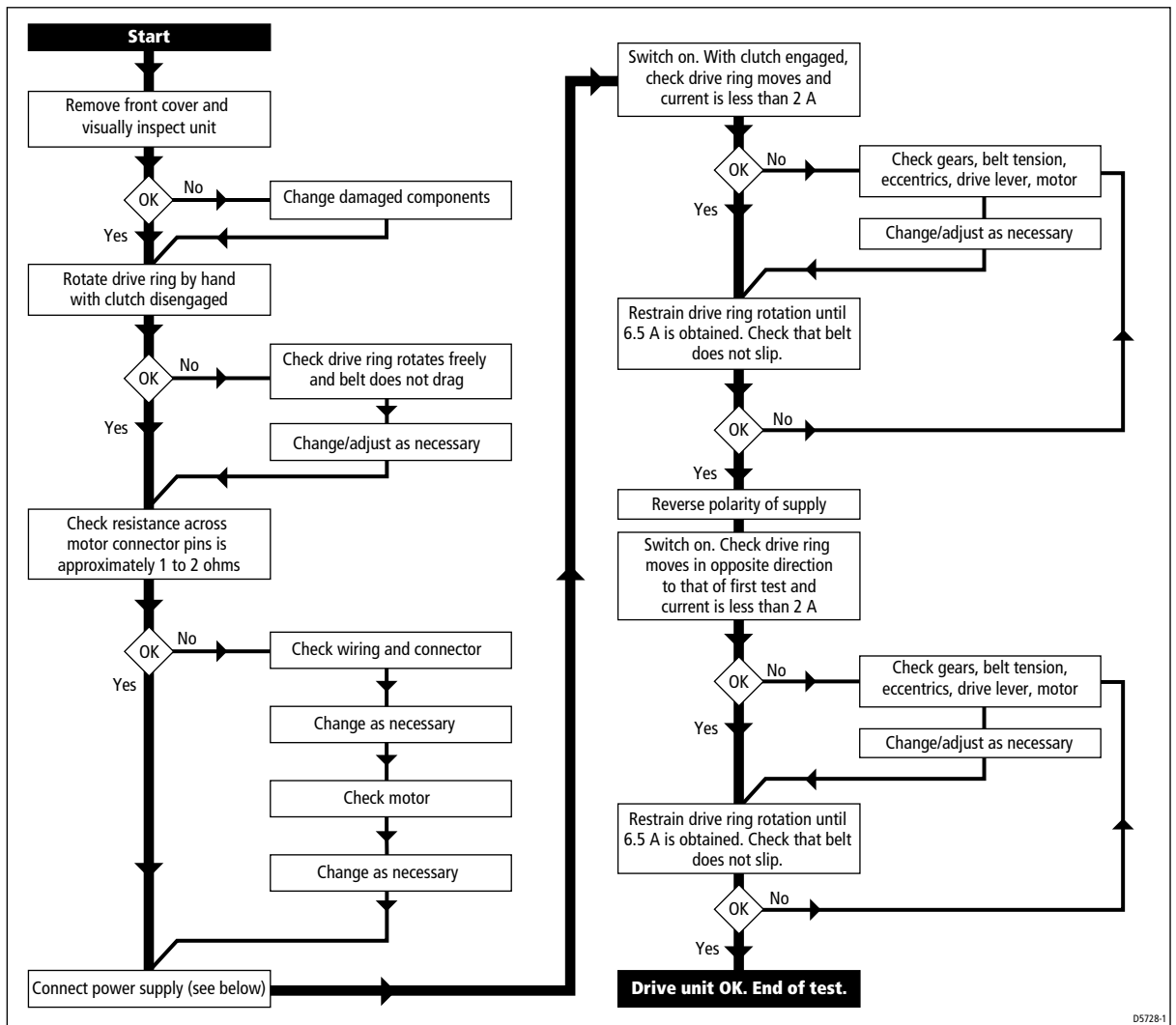


# Chapter 1: Introduction

This manual explains the service and maintenance procedures for the Raymarine 4000 Mk2 wheel drive unit.

**Note:** For information about servicing the ST4000+ control unit and fluxgate compass, refer to the ST4000 Plus Autopilots Service Manual (83115-3).

## 1.1. Wheel drive functional test



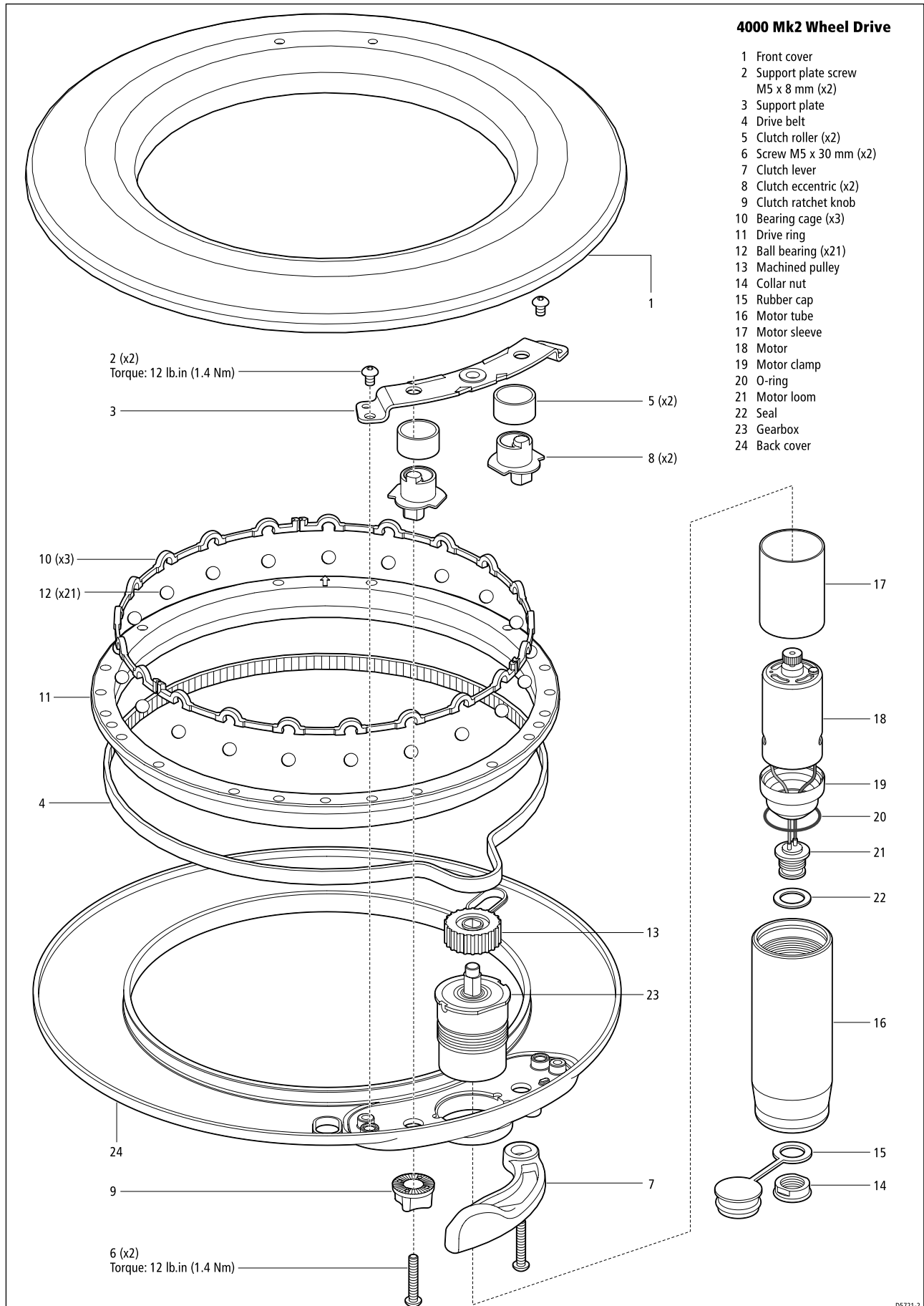
4000 mk2 Wheel Drive

## Chapter 2: Main Parts and Spares

### 2.1. Spares for 4000 Mk2 wheel drive

Item	Spare/Accessory	Part No.	Comments
	Front cover	A18074	
1	Front cover		
–	6 mm drill bit		Not illustrated on exploded view
24	Back cover	A18075	
11	Drive ring	A18076	
	Clutch lever	A18077	
7	Clutch lever		
6	M5 x 30 mm screw		
	Clutch ratchet knob	A18078	
9	Ratchet knob		
6	M5 x 30 mm screw		
	Support plate	A18079	
3	Support plate		
2	M5 x 8 mm screw (x2)		
	Torque restraint (pedestal bracket)	A18080	
–	Torque restraint		Not illustrated on exploded view
–	No 10 x ¾ inch screw (x4)		Not illustrated on exploded view
–	4 mm drill bit		Not illustrated on exploded view
–	Wheel drive unit	A18081	Entire wheel drive assembly
4	Drive belt	A18083	
	Clutch kit	A18084	
8	Clutch eccentric		
5	Clutch roller		
6	M5 x 30 mm screw		
	Bearing kit	A18085	
12	Ball bearings (x21)		
10	Bearing cage (x3)		
18	Motor	A18086	
13	Machined pulley	A18087	
23	Gearbox	A18088	
	Single spoke clamp	A18089	
–	Spoke clamp		Not illustrated with exploded unit
–	16 mm spoke clamp insert		Not illustrated with exploded unit
–	12 mm spoke clamp insert		Not illustrated with exploded unit
–	M5 x 16 mm screw		Not illustrated with exploded unit
–	3 mm allen key		Not illustrated with exploded unit
	Motor loom and seal kit	A18092	
14	Collar nut		
15	Rubber cap		
19	Motor clamp		
20	O-ring		
21	Loom plug assembly		
22	Gasket		
	Power cable	A18061	Not illustrated with exploded unit
	4.5 m (15 ft) cable with plug at one end and connector spades at the other		

## 2.2. 4000 Mk2 wheel drive – exploded view



4000 Mk2 Wheel Drive

## Chapter 3: Disassembly and Reassembly

**Note:** *The numbered parts in the following instructions refer to the annotations on the exploded views.*

### 3.1. Tools required

To assemble/disassemble the 4000 Mk2 wheel drive unit you will need a 3 mm allen key.

### 3.2. Disassembly

Remove the wheel drive from the wheel and release the clutch, then complete these steps:

#### Support plate and drive belt

1. Remove the front cover (1) by pulling it away from the back cover.
2. Remove the support plate:
  - unscrew and remove the 2 support plate screws (2)
  - lever the support plate (3) away from the back cover
3. Remove the drive belt:
  - lever the drive belt (4) up and over the machined pulley (13)
  - remove the drive belt from the drive ring (11)

#### Clutch eccentrics, knob and lever

4. Remove the 2 clutch rollers (5) from the clutch eccentrics. Note: the clutch rollers are identical.
5. Remove the clutch lever:
  - unscrew and remove the clutch lever screw (6)
  - pull the clutch lever (7) off the back cover
6. Remove the clutch lever eccentric (8).
7. Remove the clutch ratchet knob:
  - unscrew and remove the ratchet knob screw (6)
  - pull the ratchet knob (9) off the back cover
8. Remove the clutch knob eccentric (8). Note: the clutch lever eccentric and clutch knob eccentric are identical.

#### Bearing cage and drive ring

9. Remove the 3 parts of the bearing cage (10):
  - insert one end of the allen key into the joint between 2 parts of bearing cage (10), then lever one part of the cage up so you can pull it out
10. Push all of the ball bearings together. The drive ring (11) will then be free to move.
11. Hold the drive unit horizontal, then lift off the drive ring (11).



12. Remove the 21 ball bearings (12), taking care to retain them for reassembly (e.g. in the inside of upturned front cover).
13. Lift off the machined pulley (13).

### Motor and gearbox

14. Unscrew the plastic collar nut (14) by turning it anti-clockwise, then remove the rubber cap (15).
15. Unscrew the motor tube (16) by hand (turning it anti-clockwise) and then remove it.
16. Lift off the motor assembly, consisting of: motor sleeve (17), motor (18), motor clamp (19), O-ring (20), motor loom (21) and gasket (22).
17. Remove the gearbox (23) by pushing it out from the rear of the back cover (24).

## 3.3. Reassembly

### CAUTION:

**Do NOT use mineral-based solvents (e.g. WD40) to lubricate or clean the wheel drive as they will damage the material. The wheel drive is designed to run without lubrication.**

### Gearbox

1. Fit the gearbox (23) by inserting it from the inside of the back cover (24). Ensure that the locating slots on the gearbox are aligned with the lugs in the back cover.
2. Place the machined pulley (13) onto the gearbox shaft, with the recessed face on top.

### Clutch eccentrics

3. Fit the 2 clutch eccentrics (8) with their flanges downwards, so that they are clear of the foul pins on the back cover. Note: the 2 clutch eccentrics are identical.
4. Fit the 2 clutch rollers (5) over the clutch eccentrics. Note: the 2 clutch rollers are identical.

### Drive ring and bearing cage

5. Place the drive ring (11) onto the back cover, with its lipped edge uppermost.
6. Place the 21 ball bearings (12) back into the ball groove.
7. Roughly distribute the ball bearings around the ball groove – this should secure the drive ring.
8. Fit the 3 parts of the bearing cage (10):
  - clip the first part of the bearing cage into the ball groove, capturing 7 ball bearings in the cage
  - repeat for the other 2 parts of the bearing cage
  - when you have fitted the 3 parts of the bearing cage, check that the drive ring is free to rotate

## Drive belt and support plate

9. Fit the drive belt (4):
  - fit the belt around the drive ring
  - rotate the clutch eccentrics to make the maximum amount of space between the machined pulley and the clutch eccentrics
  - then fit the belt around the machined pulley
10. Fit the support plate (3):
  - fit the support plate over the clutch eccentrics and gearbox shaft, making sure the plate is pressed down fully
  - insert and tighten the 2 screws (2): torque to 12 lb.in (1.4 Nm)

## Clutch lever and ratchet knob

11. Fit the clutch lever (7):
  - place the clutch lever onto the eccentric spindle (it should be positioned between the two pips on the rear of the back cover)
  - insert and tighten the clutch lever screw (6): torque to 12 lb.in (1.4 Nm)
  - check that the lever engages and disengages the clutch
12. Fit the clutch ratchet knob (9):
  - place the clutch ratchet knob over the eccentric spindle
  - insert and tighten the clutch ratchet knob screw (6): torque to 12 lb.in (1.4 Nm)
  - you will need to **adjust the clutch** after reassembling the wheel drive (Section 3.4)

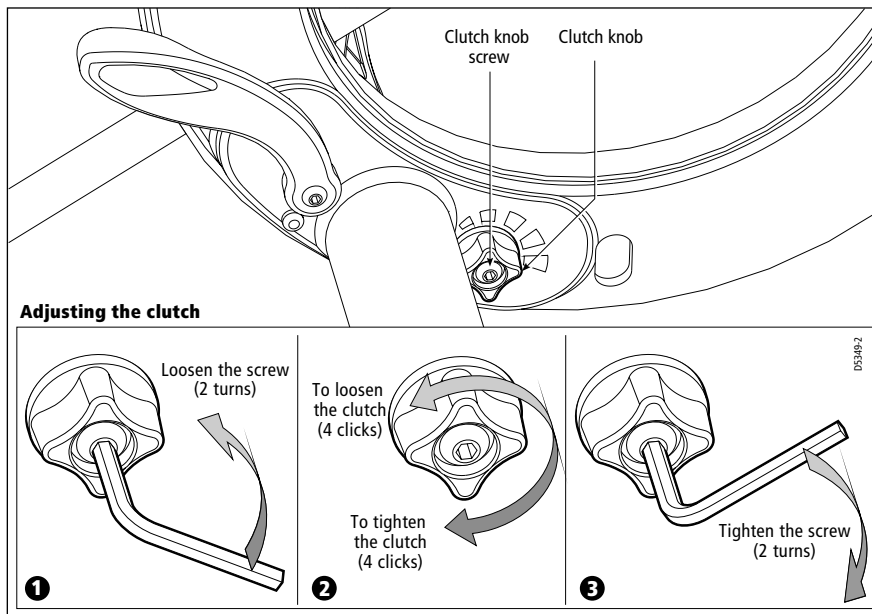
## Motor assembly

13. Fit the motor assembly:
  - carefully insert the gear at the end of the motor (18) into the hole on the gearbox (23), making sure the teeth engage properly
  - also make sure that the pin on the motor engages into one of the 2 holes on the top of the gearbox
  - check that the O-ring seal (20) is still sitting on the motor clamp
14. Fit the motor tube (16):
  - place it over the motor and hand-tighten it onto the back cover
15. Fit the rubber cap (15) and secure it with the plastic collar nut (14), making sure the lip on the collar nut is uppermost.

## Front cover

16. Fit the front cover (1):
  - line up the arrow on the front cover with the arrow on the drive ring, then press the cover into place

### 3.4. Adjusting the clutch



You need to adjust the clutch if you have removed the clutch eccentrics, replaced the ratchet knob, or replaced the drive belt. When the clutch is correctly adjusted:

- the drive ring can rotate freely when the clutch is disengaged
- the drive belt does not slip when the clutch is engaged and the motor is driving

To adjust the clutch, make sure the clutch is disengaged. Then:

1. Use a 3 mm allen key to loosen the clutch knob screw about 2 turns anti-clockwise.
2. Turn the clutch knob either 4 clicks clockwise to tighten the clutch, or 4 clicks anti-clockwise to loosen the clutch.
3. Use the allen key to re-tighten the clutch knob screw.
4. Check that the wheel still moves freely with the clutch off.

**Note:** *If the wheel does not move freely, reduce the clutch tension by turning the clutch knob 2 clicks anti-clockwise and check again*

5. Check the drive's operation with the clutch engaged.

This procedure is usually sufficient to correct a slipping or dragging drive belt. In some cases, however, you may need to repeat the steps to adjust the clutch further.

### 3.5. Cleaning the wheel drive

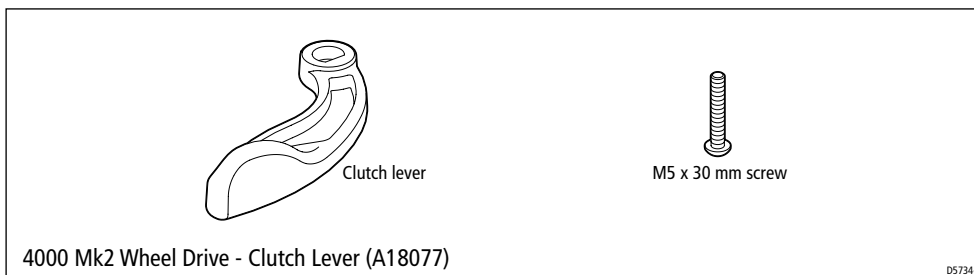
#### CAUTION:

**Do NOT use mineral-based solvents (e.g. WD40) to lubricate or clean the wheel drive as they will damage the material. The wheel drive is designed to run without lubrication.**

- To clean the wheel drive front/rear cover: use a mild detergent if necessary, then flush thoroughly with fresh water.
- To clean inside the wheel drive: if there is a build-up of salt on the wheel drive bearings and drive belt, thoroughly flush the wheel drive interior with fresh water.

## 3.6. Fitting spares and accessories

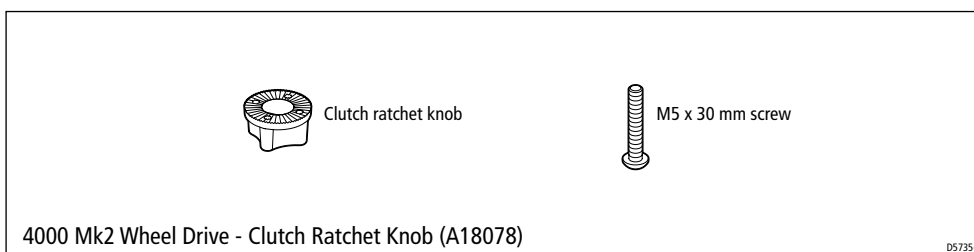
### Clutch lever A18077



To replace the clutch lever:

- follow step 5 of 'Disassembly' to remove the lever
- follow step 11 of 'Reassembly' to fit the new lever

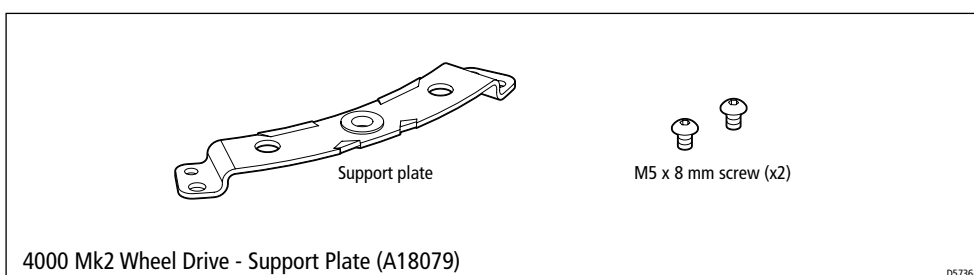
### Clutch ratchet knob A18078



To replace the clutch ratchet knob:

- follow step 7 of 'Disassembly' to remove the knob
- follow step 12 of 'Reassembly' to fit the new knob
- adjust the clutch (as described above)

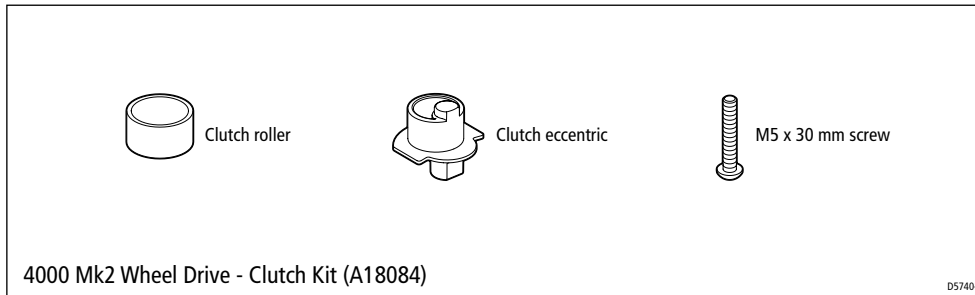
### Support plate A18079



To replace the support plate:

- follow steps 1-2 of 'Disassembly' to remove the support plate
- follow step 10 of 'Reassembly' to fit the new support plate
- fit the front cover

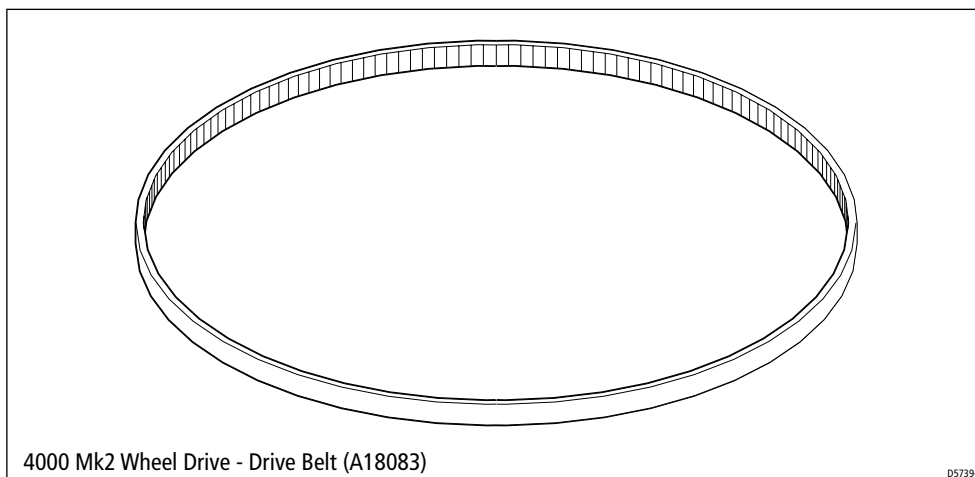
## Clutch kit A18084



To replace either of the clutch eccentrics:

- follow steps 1-8 of 'Disassembly' to remove the eccentric:
  - note: you do not need to remove the drive belt
- follow steps 3-4 of 'Reassembly' to fit the new eccentric and then follow steps 9-12 of 'Reassembly' to reassemble the drive unit
- adjust the clutch (as described above)

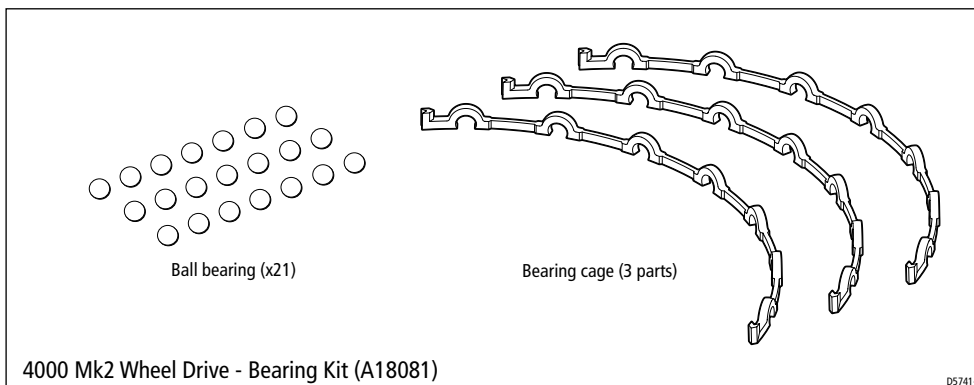
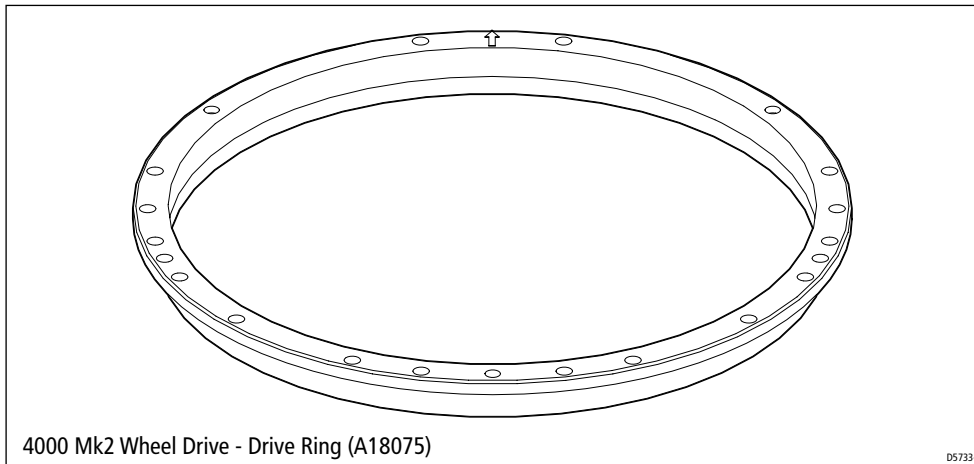
## Drive belt kit A18083



To replace the drive belt:

- follow steps 1-3 of 'Disassembly' to remove the old drive belt
- follow steps 9-10 of 'Reassembly' to fit the replacement drive belt and then the support plate
- fit the front cover
- adjust the clutch (as described above)

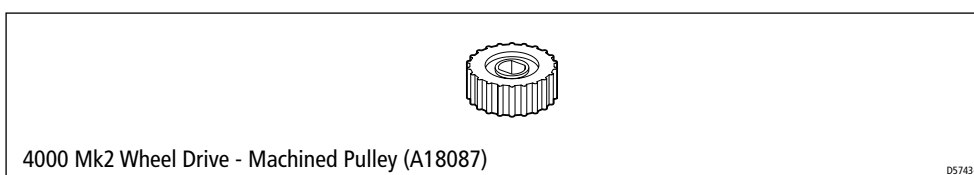
## Drive ring A18076 and Bearing kit A18085



To replace the drive ring and/or ball bearings and/or bearing cage:

- follow steps 1-12 of 'Disassembly' to remove the ball bearings, bearing cage and drive ring
- follow steps 5-16 of 'Reassembly' to fit the new drive ring and/or bearing cage and/or ball bearings, and reassemble the wheel drive
- adjust the clutch (as described above)

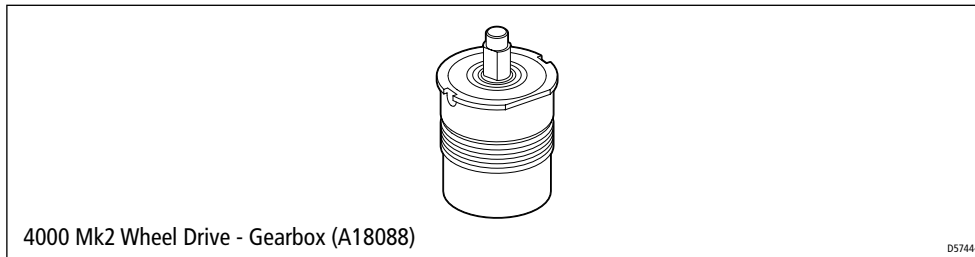
## Machined pulley A18087



To replace the machined pulley:

- follow steps 1-13 of 'Disassembly' to remove the machined pulley
- follow steps 2-16 of 'Reassembly' to fit the new machined pulley and reassemble the wheel drive
- adjust the clutch (as described above)

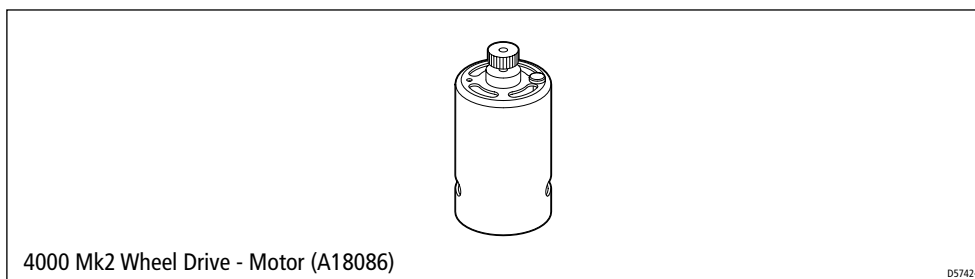
## Gearbox A18088



To replace the gearbox:

- follow all of the 'Disassembly' steps to remove the gearbox
- follow all of the 'Reassembly' steps to fit the new gearbox and reassemble the wheel drive
- adjust the clutch (as described above)

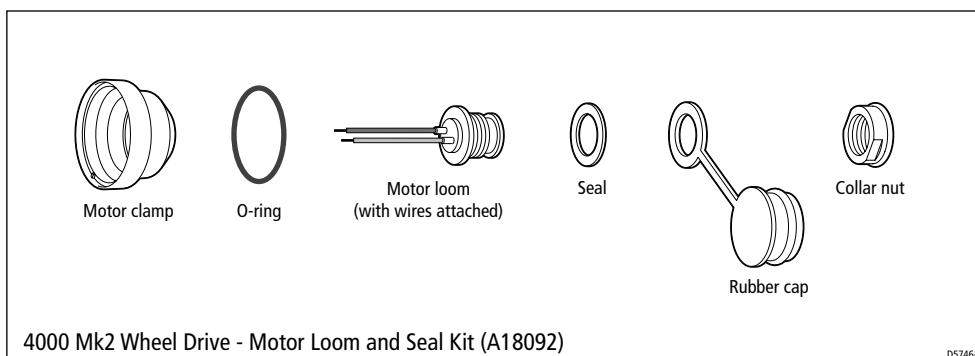
## Motor A18086



To replace the motor:

- follow steps 14-16 of 'Disassembly' to remove the motor assembly
- lift up the motor clamp so you can de-solder the motor loom wires from the contacts on the motor
- solder the motor loom wires to the new motor
- follow steps 13-15 of 'Reassembly' to fit the new motor assembly

## Motor loom and seal kit A18092

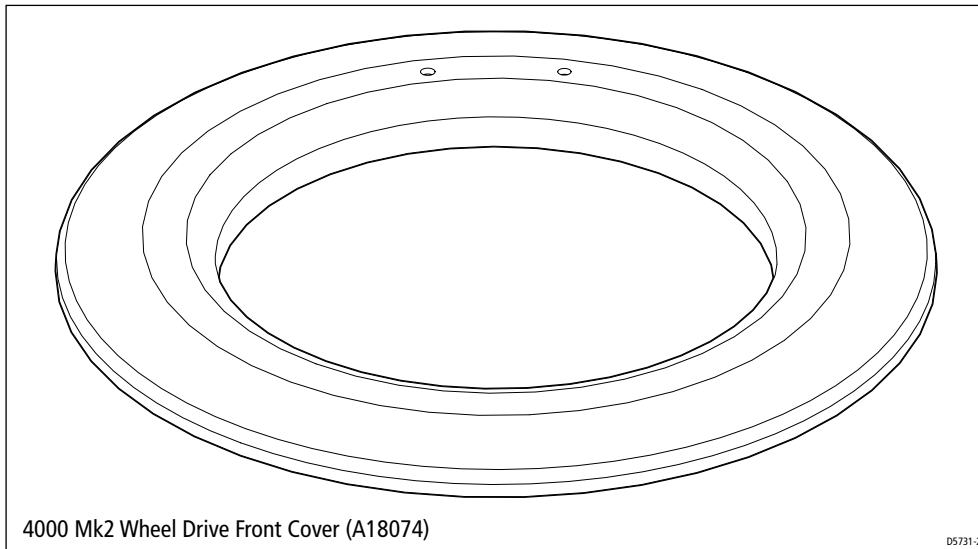


To replace the motor loom:

- follow steps 14-16 of 'Disassembly' to remove the motor assembly
- lift up the motor clamp so you can de-solder the motor loom wires from the contacts on the motor

- solder the new loom wires to the motor terminals
- follow steps 13-15 of 'Reassembly' to fit the motor assembly

### Front cover A18074

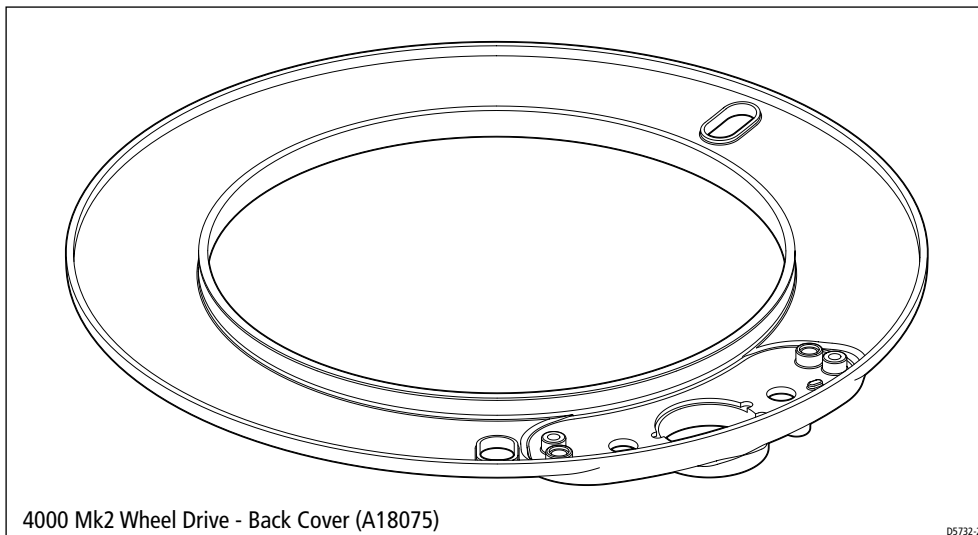


To replace front cover:

- pull off the old front cover
- drill the relevant spoke clamp holes in the new front cover
- fit the front cover back onto the drive unit

For more details, refer to the instructions supplied with the cover.

### Rear cover A18075

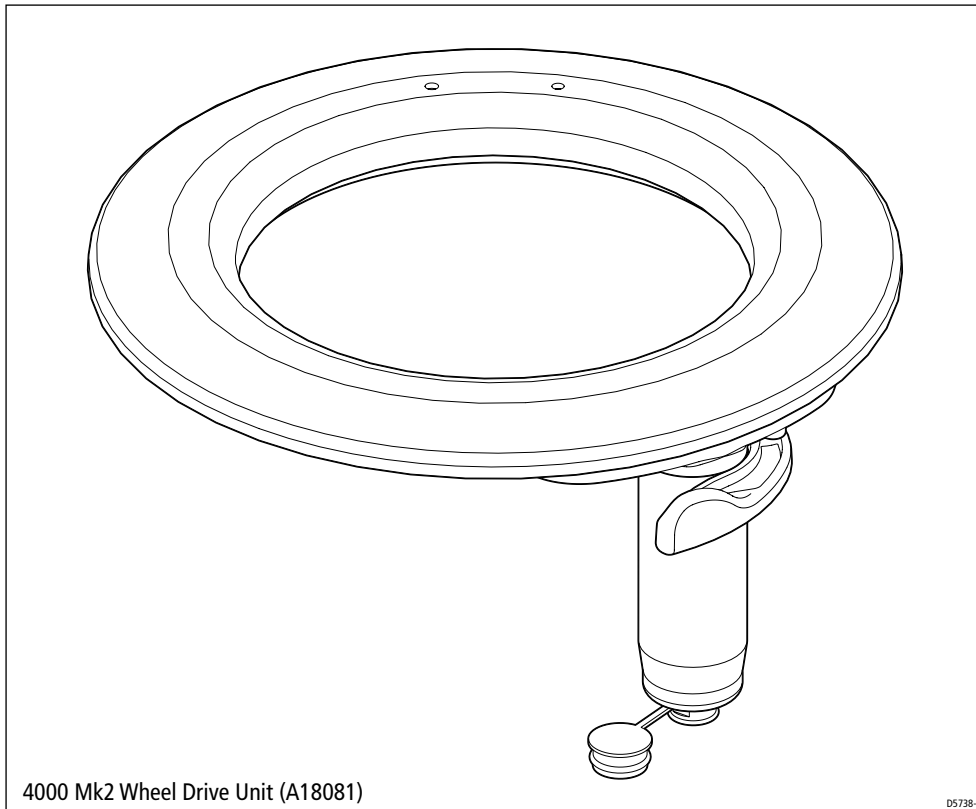


To replace the rear cover:

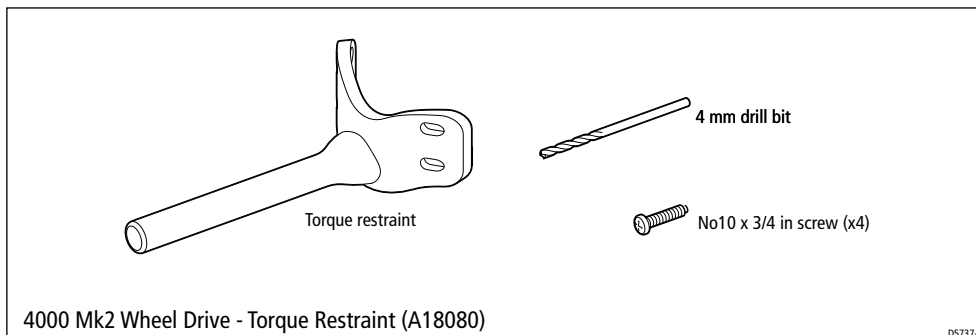
- follow all of the disassembly steps
- follow all of the reassembly steps



## Wheel drive unit A18081

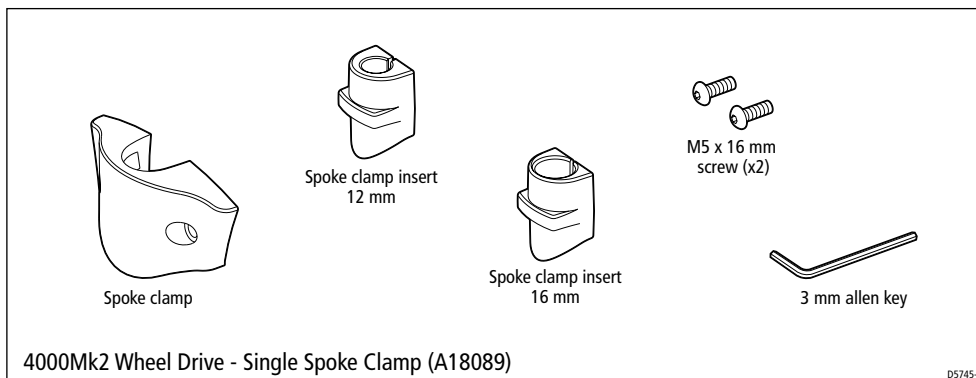


## Torque restraint A18080



Fit according to instructions supplied with the torque restraint.

## Single spoke clamp A18089



Fit according to instructions in ST4000+ Wheel and Tiller Autopilots Owner's Handbook.

Raymarine Ltd  
Anchorage Park, Portsmouth,  
England, PO3 5TD  
Telephone: +44 (0)23 9269 3611  
Fax: +44 (0)23 9269 4642

Raymarine Inc  
22 Cotton Road, Unit D  
Nashua, NH 03063-4219, USA  
Telephone: +1 603 881 5200  
Fax: +1 603 864 4756

[www.raymarine.com](http://www.raymarine.com)  
email: [techsupport@raymarine.com](mailto:techsupport@raymarine.com)

October 2001

