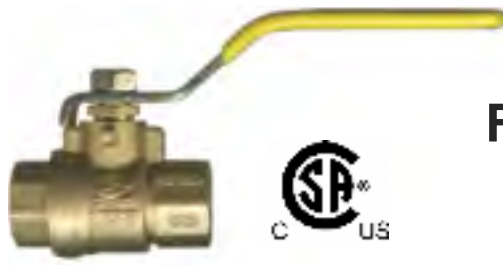


## FORGED BRASS BALL VALVE - FULL PORT



**PIPE  
Female To  
Female**

PART No.	Pipe	W.O.G.	W.S.P.
BV2103-A	1/8	600	150
BV2103-B	1/4	600	150
BV2103-C	3/8	600	150
BV2103-D	1/2	600	150
BV2103-E	3/4	600	150
BV2103-H	1	600	150
BV2103-J	1-1/4	600	150
BV2103-K	1-1/2	600	150
BV2103-M	2	600	150
BV2103-N	2-1/2	400	150
BV2103-P	3	400	150



**Female  
To  
Female**

**Type K**

PART No.	Size	W.O.G.
BVC4103-10 *	1/2	600
BVC4103-14 *	3/4	600
BVC4103-18 *	1	600
BVC4103-22	1-1/4	600
BVC4103-26	1-1/2	600
BVC4103-34	2	600

\* C.S.A. Certified to 200 PSI  
for use with Fuel Oil

Soldering Temp.  
NOT TO EXCEED 400° F.

Stainless Steel  
handles available



**PIPE  
Female To  
Female**

**With Locking Handle**

PART No.	Pipe	W.O.G.	W.S.P.
BV2103-B-LH	1/4	600	150
BV2103-C-LH	3/8	600	150
BV2103-D-LH	1/2	600	150
BV2103-E-LH	3/4	600	150
BV2103-H-LH	1	600	150
BV2103-J-LH	1-1/4	600	150
BV2103-K-LH	1-1/2	600	150
BV2103-M-LH	2	600	150



**PIPE  
Female  
To  
Female**

PART No.	Pipe	W.O.G.
BV4103-B	1/4	600
BV4103-C	3/8	600
BV4103-D	1/2	600
BV4103-E	3/4	600
BV4103-H	1	600
BV4103-J	1-1/4	600
BV4103-K	1-1/2	600
BV4103-M	2	600
BV4103-N	2-1/2	400
BV4103-P	3	400
BV4103-S	4	400



**PIPE  
Female  
To  
Female**

**With Stainless Handle**

PART No.	Pipe	W.O.G.
BV4103-B-SSH	1/4	600
BV4103-C-SSH	3/8	600
BV4103-D-SSH	1/2	600
BV4103-E-SSH	3/4	600
BV4103-H-SSH	1	600
BV4103-J-SSH	1-1/4	600
BV4103-K-SSH	1-1/2	600
BV4103-M-SSH	2	600
BV4103-N-SSH	2-1/2	400
BV4103-P-SSH	3	400
BV4103-S-SSH	4	400

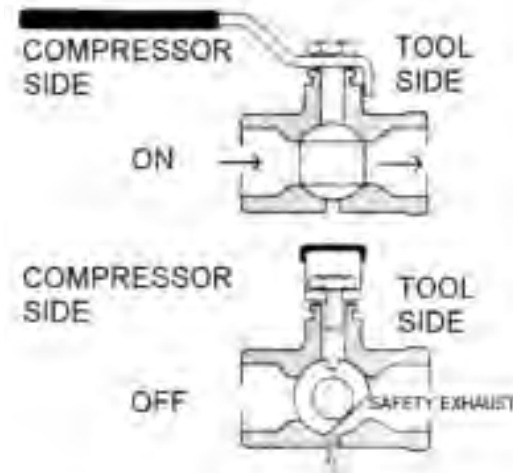
**Lead Free refers to the wetted  
surface of pipe, fittings and fixtures  
in potable water systems that have  
a weighted average lead content  
less than or equal to 0.25%.**

## SAFETY EXHAUST BALL VALVE



**PIPE  
Female  
To  
Female**

PART No.	Pipe Lead Free	W.O.G.
LF-BV4103-B	1/4	600
LF-BV4103-C	3/8	600
LF-BV4103-D	1/2	600
LF-BV4103-E	3/4	600
LF-BV4103-H	1	600
LF-BV4103-J	1-1/4	600
LF-BV4103-K	1-1/2	600
LF-BV4103-M	2	600



**PIPE  
Female  
To  
Female**



**PIPE  
Female  
To  
Female**

**With Locking Handle**

PART No.	Pipe	PART No.	Pipe
BVSE2103-B	1/4	BVSE2103-B-LH	1/4
BVSE2103-C	3/8	BVSE2103-C-LH	3/8
BVSE2103-D	1/2	BVSE2103-D-LH	1/2
BVSE2103-E	3/4	BVSE2103-E-LH	3/4

THESE VALVES ARE DESIGNED TO EXHAUST DOWNSTREAM AIR IN THE CLOSED POSITION.